

## 34002

## Universal Indicator Stand

### Type

Top and side surfaces precision ground, prismatic bottom for touch down on shafts and cylindrical workpieces. Post adjustable and may be locked at the bottom by large star knob. Transverse arm adjustable by a clamping device on post. For exactly setting the dial, a fine adjustment device is mounted on the transverse arm **Dial gauge hole 8 mm** (h 6) and dovetail for small probes. **Dial gauge not included.**

### Note:

Dial gauges and lever gauge measuring devices (small probes), see Cat. No. 33001 ff.

34002



Vertical capacity approx. mm	Working radius mm	Transverse arm Ø mm	Post Ø approx. mm	Base size approx. mm	Weight kg	34002	...
300	180	16	16	250 x 60	3.8	#	101

## 34003

## Magnetic holder

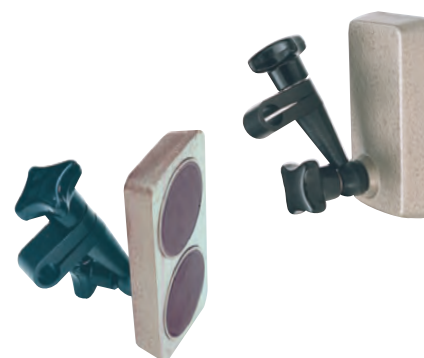
### Type

Flat base, horizontally and vertically adjustable, for dials with **shank Ø 8 mm** (h 6). Flat contact surface, high adhesion thanks to 2 sintered magnets built into the base.

### Note:

Dial gauges and lever gauge measuring devices (small probes), see Cat. No. 33001 ff.

34003



L x W x H approx. mm	34003	...
70 x 35 x 43		101

## 34008

## Magnetic indicator support

### Type

With locating bore for normal dial gauges with **shank Ø 8 mm** as well as swallowtail guide, with **precision adjustment.**

### Note:

Dial gauges and lever gauge measuring devices (small probes), see Cat. No. 33001 ff.

34008



Overall height mm	Working radius approx. mm	Base Ø approx. mm	Magnetic force approx. N	34008	...
155	105	35	250		101

## 34012

## Magnetic indicator stand (element stand)

**ATORN®**

### Type

Magnetic Base, operating system: rotary switch. With movable post, allowing the dial gauge to be applied to points with poor access. Prism notch next to the post for mounting cylindrical parts. Operating the excentric clamping lever makes the post completely rigid. Regulating nut for adjusting cable tension. The sturdy mechanical design and special treatment of the ball joint surfaces ensures lasting accuracy.

### Note:

Magnetic base and post are available as single parts on request. Dial gauges and lever gauge measuring devices (small probes), see Cat. No. 33001 ff.

34012



Overall height mm	Magnetic base approx. mm	Magnetic force approx. N	Number of magnetic sides	34012	...
380	70 x 46 x 65	600	2		102



**34013 Magnetic indicator support**

- Type**
- Stand base with powerful permanent magnet, high adhesion force
  - Can be switched on and off using rotary switch
  - Prismatic bottom
  - Transverse arm with joint and **dial gauge precision adjustment**
  - For dial gauges with **shank Ø 8 mm** (h 6)
  - Pillar and transverse arm chrome-plated

**Note:**  
Magnetic base and post on request also available as single parts.  
Dial gauges and lever gauge measuring devices (small probes), see Cat. No. 33001 ff.



34013

Overall height mm	Overhang approx. mm	Post Ø approx. mm	Transverse arm Ø approx. mm	Magnetic base approx. mm	34013	...
230	150	12	10	65 x 48 x 55		101

**34014 Magnetic indicator support**



- Type**
- Switchable magnetic base with precise fine adjustment (1) and prismatic bottom. Patented clamping system, 3-point clamping mechanism (2). Universal dial gauge mount: 6 and 8 mm, 3/8 inch, prisms and eyelet (3).

**Note:**  
Dial gauges and lever gauge measuring devices (small probes), see Cat. No. 33001 ff.



34014

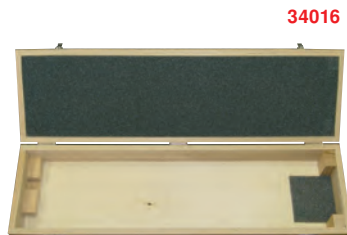
Overall height mm	Post Ø x height mm	Transverse arm Ø x length mm	Magnetic base mm	Magnetic force N	Thread size of magnetic base	34014	...
270	14 x 203	12 x 185	60 x 50 x 55	800	M 8		101

**34015 - 34018 Magnetic indicator support**

- 34015 Type**
- With high adhesion force
  - Can be switched on and off using rotary switch
  - Prism recess in base
  - Transverse arm with joint and **dial gauge precision adjustment**
  - For dial gauges with **shank Ø 8 mm** (h 6) and swallowtail
  - Pillar and transverse arm are chrome-plated
  - Boom reach 180 mm
  - Transverse arm Ø 16 mm
  - **Without dial gauge**

- 34016**  
Wooden case, empty.
- 34017**  
Magnetic base, single.
- 34018**  
Post, single.

**Note:**  
Dial gauges and lever gauge measuring devices (small probes), see Cat. No. 33001 ff.



34016



34015

34018

Overall height mm	Post Ø mm	Magnetic base approx. mm	Magnetic force approx. N	Indicator stand 34015	Wooden box 34016	Magnetic base 34017	Post 34018	...
285	16	70 x 46 x 65	600	34015	...	34017	34018	...
500	20	75 x 60 x 80	800					

**34019**

**Precision magnetic indicator stands**



**FISO**  
Swiss Made



**Note:**

Dial gauges and lever gauge measuring devices (small probes), see Cat. No. 33001 ff.

**Type**

- High stability and measurement accuracy
- Practical positioning
- Secure, stable base
- Powerful central clamp with robust aluminium clamp chucks
- Additional joint before precision adjustment
- Precise micro-precision adjustment with combined mounting for dial gauges shank Ø 8 mm and feeler gauge probe with swallowtail
- Powerful switching magnet
- Delivery **without dial gauge/feeler gauge measuring device**



**34019**

Overall height mm	Transverse arm Ø x L mm	Vertical arm Ø x L mm	Micro fine adjustment Ø 8 mm	Magnetic force approx. N	Base size L x W x H mm	34019	...
277	8 x 75	10 x 106	x	300	34 x 30 x 35		<b>101</b>
367	10 x 106	12 x 156	x	800	60 x 50 x 55		<b>102</b>
453	12 x 164	14 x 184	x	800	60 x 50 x 55		<b>103</b>

**34027**

**3D precision articulated measuring bases**



**FISO**  
Swiss Made



**STRATO µ-LINE**

**Type**

- **Extension of the STRATO-LINE into the high-precision sector**
- **Precision adjustment** with superlative ease of adjustment and great repeatability precision, specifically for measurements in the micron range
- **Exact positioning within seconds**
- FISO indicator stands can be positioned precisely and with ease in any desired position
- FISO indicator stands can be positioned precisely and with ease in any desired position
- Mechanical central lock for tightening and loosening of all three joints
- Mechanical central lock for tightening and loosening of all three joints
- Short clamping distance for greatest comfort
- **Powerful and permanent clamping**
- **Friction clamping** based on an infinitely adjustable, solely mechanical clamping system

**34027 097**

- Great stability of the indicator stand thanks to the high-precision shaped recess in the ball joint
- Due to the pre-clamping the indicator stands will not collapse when loosened. This protects your measuring instruments
- Maintenance-free, long service life.
- Made of steel, free from float, for exact positioning of the measuring devices as well as high measurement and repeatability precision
- Combined mounting for dial gauges, electronic measuring probes with **shank Ø 8 mm** and feeler gauge probe with **swallowtail**
- Delivery in polystyrene or cardboard box, **dial gauge and lever gauge not included.**

**Quality**

High precision ball joints made of steel, red anodised transverse arms made of high quality light metal, micro fine adjustment device made of steel.

**Note:**

Dial gauges and lever gauge measuring devices (small probes), see Cat. No. 33001 ff.

**34027 099**

**34027 097-098**

**Type**

With **switching magnet**. The preload cannot be adjusted.

**34027 099-100**

**Type**

With **switching magnet**.

**34027 101**

**Type**

With **switching magnet** with prism bottom, can be switched on and off using rotary handle.

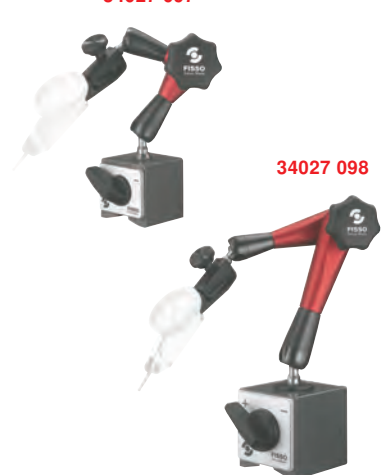
**34027 102**

**Type**

With **granite sliding base**, face end ground, underside within 0.01 mm hollow ground, with dust grooves.

**Use**

Great gliding characteristics on stone test plates, e.g. for checking parallelism.



**34027 098**



**34027 100**



**34027 101**



**34027 102**

Overall height mm	Working radius mm	Base size mm	Magnetic force approx. N	34027	...
228	130	40 x 40 x 40	600		<b>097 NEW</b>
317	204	60 x 50 x 55	800		<b>098 NEW</b>
399	287	60 x 50 x 55	800		<b>099 NEW</b>
399	287	75 x 50 x 55	1000		<b>100 NEW</b>
444	330	75 x 50 x 55	1000		<b>101</b>
439	330	150 x 120 x 50 x 50	-	#	<b>102</b>



## Measuring joint bases | Mounted link-type indicator stands

34020

### 3D precision articulated measuring bases



#### STRATO-LINE

##### Type

##### Exact positioning within seconds.

- FISSO indicator stands can be positioned precisely and with ease in any desired position
- Mechanical central lock for tightening and loosening of all 3 joints
- Short clamping distance for greatest comfort
- **Powerful and permanent clamping.**
- **Friction clamping** based on an infinitely adjustable, solely mechanical clamping system
- Great stability of the indicator stand thanks to the high-precision shaped recess in the ball joint
- Due to the pre-clamping the indicator stands will not collapse when loosened.

This protects your measuring instruments

- Maintenance-free, long service life.
- **Precise micro-fine adjustment.**
- Made of steel, free from float, for exact positioning of the measuring devices as well as high measurement and repeatability - precision
- Combined mounting for dial gauges, electronic measuring probes with shaft  $\varnothing 8 \text{ mm}$  and feeler gauge probe with swallowtail
- Delivery in polystyrene or cardboard box,

**dial gauge and lever gauge not included.**

##### Quality

High precision ball joints made of steel, red anodised transverse arms made of high quality light metal, micro fine adjustment device made of steel.

##### Note:

Dial gauges and lever gauge measuring devices (small probes), see Cat. No. 33001 ff.

34020 110-115

**STRATO M-28**

**Standard type**

With continuous adjustable pre-clamping.

34020 110

With **switching magnet**, 800 N adhesion force.

34020 112

With **switching magnet**, 1000 N adhesion force.

34020 115

With **vacuum base**, proper use on natural stone test plates as well as for all flat and non-porous surfaces. Strong adhesion. On-off function by using the switch lever. **No air pressure or other energy required.**

34020 118-126

**STRATO S-20**

**Small type**

Especially suitable for lever gauges.

34020 118

With **switching magnet**, 800 N adhesion force.

34020 120

With **pot magnet**, 300 N adhesion force (permanent).

34020 126

With **switchable Anyform magnet**, 600 N adhesion force. Especially suitable for uneven surfaces (machine body sheets, cast iron etc.). 70 steel segments provide for easy and precise fit on all forms.

34020 130-132

**STRATO XS-13**

**The smallest measurement indicator stand** for use with precision probes on machine tools, in measuring fixtures, in relatively inaccessible locations and in confined spaces.

34020 130

With powerful **switching magnet with prism bottom**, 300 N adhesion force, can be switched on and off using rotary handle.

34020 132

With **pot magnet**, 170 N adhesion force.



34020 110



34020 112



34020 115



34020 118



34020 120



34020 126



34020 130



34020 132

Overall height mm	Working radius mm	Base size mm	Magnetic force approx. N	34020	...
390	280	60 x 50 x 55	800	110	
390	280	75 x 50 x 55	1000	112	
375	280	$\varnothing 90 \times 27$	400	115	
310	200	60 x 50 x 55	800	118	

Overall height mm	Working radius mm	Base size mm	Magnetic force approx. N	34020	...
330	200	$\varnothing 40$	300	120	
320	200	91 x 52 x 55	600	126	
220	130	34 x 30 x 35	300	130	
205	130	$\varnothing 30$	170	132	

**34021**

**Mounted link-type indicator stands**



**STRATO-LINE**

**Type**

- Mounting of indicator stands manufactured in Switzerland
- Exact positioning within seconds
- FISO indicator stands can be positioned precisely and with ease in any desired position
- Mechanical central lock for tightening and loosening of all three joints
- Short clamping distance for greatest comfort
- Powerful and permanent clamping.
- Friction clamping based on an infinitely adjustable, solely mechanical clamping system
- The indicator stands are extremely stable thanks to the high-precision ball joint
- Due to the pre-clamping the indicator stands will not collapse when loosened. This protects your

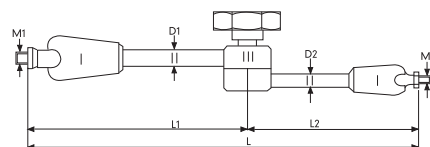
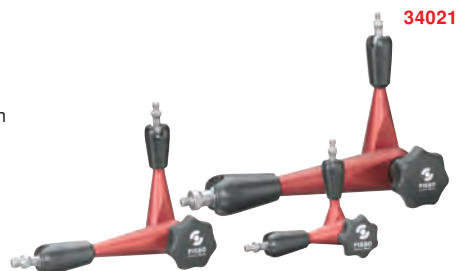
- measuring instruments
- Maintenance-free, long service life.
- Made of steel
- free from float, for exact positioning of the measuring instruments and high measuring and repetition accuracy
- Delivery in polystyrene or cardboard box

**Use**

Proper use as a mounted element within machine and apparatus engineering.

**Quality**

**High precision ball joints made of steel, red anodised transverse arms made of high quality light metal, micro fine adjustment device made of steel.**



Typw	L mm	L1 mm	D1 mm	M1 mm	L2 mm	D2 mm	M2 mm	Load capacity N	34021	...
STRATO XS-13	130	70	9	M 6	60	8	M 6	30		101
STRATO S-20	200	120	10	M 8	80	9	M 6	40		102
STRATO M-28	280	170	16	M 8	110	10	M 6	70		103

**34022**

**3D precision articulated measuring bases**



**CLASSIC-LINE**

**Type**

Exact positioning within seconds. FISO indicator stands can be positioned exactly with ease. Mechanical central lock for tightening and loosening of all three joints. Short clamping distance for greatest comfort.

**Powerful and permanent clamping.** Friction clamping based on an infinitely adjustable, solely mechanical clamping system. The indicator stands are extremely stable thanks to the high-precision ball joint. Due to the pre-clamping the indicator stands will not collapse when loosened. This protects your measuring instruments. Maintenance-free, long service life.

**Precise micro fine adjustment.** Made of steel, free from float, for exact positioning of the measuring instruments and high measuring and repetition accuracy. Combined mounting for dial gauges, electronic measuring probes with **shank Ø 8 mm** and feeler gauge probe with swallowtail. Delivery in polystyrene or cardboard box, **dial gauge and lever gauge not included.**

**Quality**

**High precision ball joints made of steel, chrome finish transverse arms made of high quality light metal, micro fine adjustment device made of steel.**

**Note:**

*Dial gauges and lever gauge measuring devices (small probes), see Cat. No. 33001 ff.*

**34022 089**

**Type**

Switch-on/off magnet with prism base. 300 N magnetic force, turning switch.

**Use**

For dial gauges and probes in all areas mechanic and for hard-to-reach places.

**34022 090-096**

**Type**

High-power switch-on/off magnet with prismatic base, 800 N adhesion force, turning switch.

**Use**

For dial gauges and probes in all areas of mechanics.

**34022 101**

**Type**

High-power switch-on/off magnet with prismatic base, 1000 N adhesion force, turning switch.

**Use**

For big workpieces and machines.

**34022 102**

**Type**

High-power switch-on/off magnet, 1500 N adhesion force, turning switch.

**Use**

For extremely big workpieces and machines.

34022 089



34022 090



34022 096



34022 101



34022 102



Overall height mm	Working radius mm	Base size mm	Magnetic force approx. N	34022	...
220	130	34 x 30 x 35	300		089
310	200	60 x 50 x 55	800		090
390	280	60 x 50 x 55	800		096
568	450	75 x 50 x 55	1000		101
740	630	120 x 60 x 55	1500		102



## Mounted indicator stands | Accessories for indicator stands

34023

### Mounted link-type indicator stands



**FISO**  
Swiss Made



**Type**

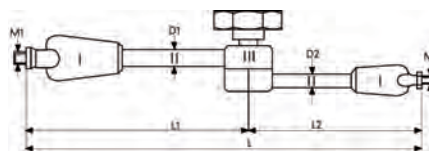
- Mounting of indicator stands manufactured in Switzerland
- With mechanical central clamping
- Unrestricted mobility
- Patented mechanical central clamping - all three joints are secured in a single movement
- Zero-maintenance
- Ultimate precision thanks to powerful dimensioning
- Delivery in cardboard box

**Use**

Proper use as a mounted element within machine and apparatus engineering.

**Quality**

**High-precision ball joints made of steel.**



L mm	L1 mm	D1 mm	M1 mm	L2 mm	D2 mm	M2 mm	Load capacity N	34023	...
197	112	10	M 8	85	9	M 6	40		101
288	161	12	M 8	127	10	M 6	70		102
392	196	12	M 8	196	12	M 8	60		103
622	358	24	M 12	264	20	M 12	120		106

34024

### Magnets/Vacuum Bases/Sliding Bases (Granite)



**FISO**  
Swiss Made



34024 101-102

**Type**

- Powerful **switching magnet with prism bottom**
- Can be switched on and off using rotary switch

34024 103

**Type**

- Powerful **switching magnet** with smooth bottom
- Can be switched on and off using rotary switch

34024 110

**Type**

- **Switchable Anyform magnet** with contour adhesion
- Can be switched on and off using rotary switch
- 70 steel segments fit easily and precisely in the shaped support

34024 105-106

**Type**

- Round **pot magnet**
- Cannot be switched on and off

34024 107

**Type**

- Powerful **switching magnet with prism bottom**
- Can be switched on and off using rotary switch

34024 108

**Type**

- **Vacuum base**, powerful and lasting adhesion
- Adhesion and release of base with toggle lever
- No compressed air or other energy source required

**Use**

Especially suitable for use on natural stone test plates as well as for all flat and non-porous surfaces.

34024 109

**Type**

- **Granite sliding base**, Underside within 0.01 mm ground hollow, with dust grooves
- Made of black Diabas granite
- Face end ground

**Use**

Great gliding characteristics on stone test plates, e.g. for checking parallelism.

34024 101



34024 102



34024 103



34024 110



34024 105-106



34024 107



34024 108



34024 109



Designation	on/off switch	Dimension mm	Adhesion force N	Thread	34024	...
Switching magnet M	x	60 x 55 x 50	800	M 8		101
Switching magnet SM	x	75 x 55 x 50	1000	M 8		102
Switching magnet MM	x	120 x 55 x 60	1500	M 10 x 1,25		103
Anyform magnet AMO	x	91 x 52 x 55	600	M 8	#	110
Pot magnet TMS	-	∅ 30	170	M 6	#	105
Pot magnet TM	-	∅ 40	300	M 8	#	106
Switching magnet S	x	34 x 30 x 35	300	M 6		107
Vacuum base V	x	∅ 88	-	M 8	#	108
Granite sliding base G	-	150 x 120 x 50	-	M 8	#	109

**34025**

**Holder for dial gauges and feeler gauge measuring devices**



**Use**  
Combined support for dial gauges, electronic length measuring probes with **shank Ø 8 mm** and feeler gauge measuring devices with swallowtail.

**34025 101-102**  
**Type**  
With micro-fine adjustment and clamping.  
**Use**  
Suitable for mounting of indicator stands  
Cat. No. 34023.

**34025 101-102**



**34025 103**  
**Type**  
Precision fine adjustment with dovetail.  
**Use**  
Suitable for mounting of indicator stands  
Cat. No. 34021.

**34025 103**



Mounting hole mm	Dovetail	Connecting thread	34025	...
8	x	M 6		101
8	x	M 8		102
8	x	M 8	#	103

**34028**

**Accessories for measuring indicator stands**



**34028 101-105**  
**Clamp tighteners**  
**Type**  
- Solid quick-release clamps  
- Powerful, fast clamping of every thickness within clamping widths

**34028 108-109**  
**Fibre-optic cable holder**  
**Type**  
- Made of light alloy, black-anodised  
- With clamping ring to protect the fibre-optic cables

**34028 101**



**34028 106-107**  
**Spring-loaded clamp fasteners**  
**Type**  
- Powerful clamping action  
- M6 connection bolts  
- Black galvanised

**34028 110-111**  
**Hex threaded adapter**  
**Use**  
To reduce thread on measuring indicator stands.

**34028 106**



**34028 106**  
**Type**  
- Clamp chucks lined with plastic  
- 50 mm wide

**34028 112**  
**Extensions**  
**Type**  
- With knurling, black, galvanised

**34028 107**



**34028 107**  
**Type**  
- Clamp chucks lined with plastic  
- 21 mm wide

Designation	Thread	Clamping width mm	Clamp tighteners	
			34028	...
Clamp tighteners KT1 ST	M 6	25	#	101
Clamp tighteners KT1 ST	M 6	25	#	102
Clamp tighteners KT2 ST	M 8	50	#	103
Clamp tighteners KT2 ST	M 6	50	#	104
Clamp tighteners KT2 ST	M 6	50	#	105
Spring-loaded clamp fasteners with plastic chucks 50 mm wide	M 6	-	#	106
Spring-loaded clamp fasteners with plastic chucks 21 mm wide	M 6	-	#	107

**34028 108-109**



Ø mm	Thread	Fibre-optic cable holder	
		34028	...
9 - 12	M 6	#	108
11 - 16	M 6	#	109

**34028 110-111**



Type	Thread outer/inner	Ø mm	Adapter	
			34028	...
Threaded adapter	M 6 / M 8	13	#	110
Threaded adapter	M 8 / M 6	13	#	111
Extension	M 6 / M 6	8 x 200	#	112

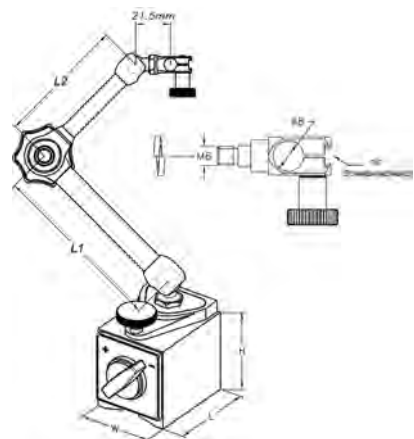
**34028 112**



Measuring joint bases | Magnetic indicator support | Measurement desk

**34029 Measuring indicator stands with precision adjustment on the magnet**

- Type**
- Five-axis measuring indicator stand
  - Wear-resistant mechanical central clamping
  - **Precision adjustment on magnetic base**
  - Arms made of high-strength aluminium alloy
  - With **shank Ø 8 mm** and **dovetail guide**
  - Powerful On/Off magnet with prism bottom
  - Fast clamping in every position
  - Simple and quick to adjust in the desired position



**Note:**  
Dial gauges and lever gauge measuring devices (small probes), see Cat. No. 33001 ff.

Total height mm	Action radius mm	Base size W x L x H mm	L1 mm	L2 mm	Adhesion force approx. N	34029	...
205	152	30 x 40 x 35	80	50	320		101
285	212	50 x 60 x 110	80	55	800		102
345	272	50 x 60 x 110	140	55	800		103

**34026 Precision measuring indicator stands in set**



**34026 201**  
**Mechanic's kit**  
**Type**  
Comprising a precision measuring indicator stand (action radius 130 mm), feeler gauge measuring device (Cat. No. 33247 101) and robust readiness case.  
**Use**  
For different tasks such as measurements of deviations in shape, or position, as well as adjustment works of machines, even under extreme conditions.



34026 201

**34026 102**  
**Set for natural stone measuring plates**  
**Type**  
Comprising a precision measuring indicator stand (action radius 280 mm), micro-precision adjustment with 8 mm shank mount, vacuum base, base made of granite, wrench for pretensioning the joint and sturdy case.  
**Use**  
With the vacuum plinth for static mounting of stand on measuring plate. With natural stone base plinth, in case the stand needs to be moved.



34026 102

Typ	34026	...
Mechanic's kit		201
Set for natural stone measuring plates	#	102

**21780 Measuring joint base**

**Type**  
Mechanical centre clamping of all links, clamping power infinitely adjustable, each position within working range can be reached. Dial gauge hole 8 mm, length = 40 mm for direct mounting into the machine (collet!).  
**Use**  
For lever gauges. Used for: workpiece positioning, centring of bores/pilots, aligning of workpieces, for difficult to reach areas.



21780

	21780	...
		201



**34030 Magnetic indicator support**

**Type**  
 - Clamping: mechanical  
 - With indicator stand that guarantees absolute rigidity with central clamping and great manoeuvrability and a wide radius of action  
 - Dial gauge locating bore  $\varnothing$  8 mm  
 - **With precision adjustment** and additional swallowtail mounting

**Use**  
 Especially suitable for series testing works.

**Note:**  
 Dial gauges and lever gauge measuring devices (small probes), see Cat. No. 33001 ff.



34030

Overall height mm	Magnetic base approx. mm	Magnetic force approx. N	Weight approx. kg	34030	...
390	60 x 50 x 55	785	1.6		101

**34612 Small Dial Comparator**

**Type**  
 - With rigid measuring arm and round desk  
 - Robust standing type  
 - Pillar made of solid material  
 - Desk top hardened, ground and lapped  
 - **Precision acc. to DIN 876/0**  
 - For dial gauges with shank  $\varnothing$  8 mm (h 6)  
 - Clamping with star handle

**Note:**  
 Dial gauges and lever gauge measuring devices (small probes), see Cat. No. 33001 ff.



34612

Vertical capacity approx. mm	Working radius approx. mm	Post $\varnothing$ approx. mm	Table $\varnothing$ approx. mm	Weight approx. kg	34612	...
100	49	22	50	2,3		101

**34613 Small Dial Comparator**

**Type**  
 - Desk top hardened, ground and lapped  
 - **Flatness acc. to DIN 876/0**  
 - With dust grooves  
 - Pillar hardened and precision-ground  
 - For dial gauges with shank  $\varnothing$  8 mm (h 6)

**Note:**  
 Dial gauges and lever gauge measuring devices (small probes), see Cat. No. 33001 ff.



34613

Vertical capacity approx. mm	Overhang approx. mm	Post $\varnothing$ approx. mm	Overall height mm	Table approx. mm	34613	...
100	49	22	200	60 x 68		101

**34622 Precision measuring table**



**Type**  
 - With thread and adjusting ring  
 - Boom with precision adjustment, 85 mm reach  
 - Measurement desk top with dust grooves, hardened, ground and lapped  
 - Measurement desk mounted on 3 points and horizontally adjustable on 2 axes to adapt to measuring kits with a larger diameter  
 - **Flatness of measurement desk acc. to DIN 876 part 2 precision 0**  
 - For dial gauges with shank  $\varnothing$  8 mm (h 6)

**Note:**  
 Dial gauges and lever gauge measuring devices (small probes), see Cat. No. 33001 ff.



34622

Vertical capacity approx. mm	Post $\varnothing$ approx. mm	Tabletop approx. mm	Overall height mm	Weight approx. kg	34622	...
150	35	95 x 95	300	9		101

Measurement desks | Measurement and test plates | Height Measuring Gauges

**34623 Hard stone precision measuring table**



**Type**  
 - Desk top made of dense, fine-grained black natural hard stone, top quality (lapped)  
 - The stone is entirely free of inclusions  
**- Flatness of the measuring surface 0.002 mm**  
 - Hardness 6-7 base on the Moh scale  
 - Pillar hard-chrome-plated and precision-ground  
 - Height adjustment and securing to pillar equipped with a thread and an adjusting nut (ball guide)  
**- Flatness of the measurement desk acc. to DIN 876/00**  
**Use**  
 - For dial gauges with **shank Ø 8 mm** (h 7)

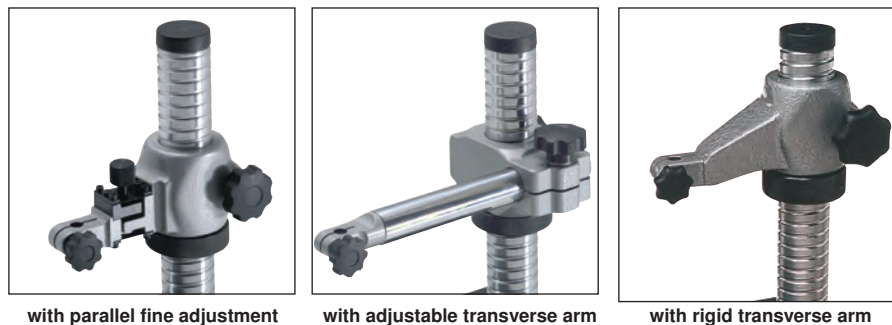
**34623 102+105**  
**Type**  
 - With parallel fine adjustment

**34623 103+106**  
**Type**  
 - With adjustable transverse arm

**34623 104**  
**Type**  
 - With rigid transverse arm, DIN 876/00



**Note:**  
 Dial gauges and lever gauge measuring devices (small probes), see Cat. No. 33001 ff.



Type	Measuring height approx. mm	Total height approx. mm	Boom reach approx. mm	Desk top approx. mm	34623	...
With parallel fine adjustment	135	280	70	240 x 140 x 50	F #	102
With adjustable transverse arm	165	280	160	240 x 140 x 50	F #	103
With rigid transverse arm	200	360	100	300 x 210 x 60	F #	104
With parallel fine adjustment	205	360	100	300 x 210 x 60	F #	105
With adjustable transverse arm	235	360	225	300 x 210 x 60	F #	106

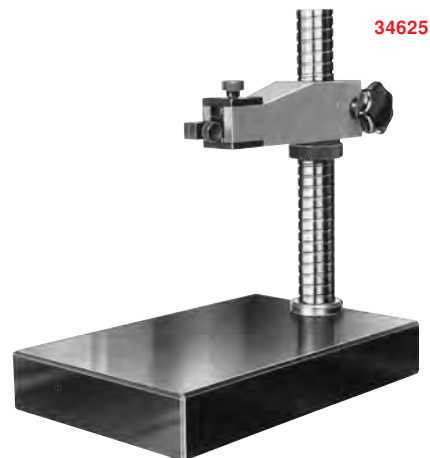
**34625 Hard stone precision measuring tables**

**Type**  
 - With natural hard stone base  
 - Precision adjustment on transverse arm (parallel adjustment)  
 - Measurement desk made of carefully selected material, of top quality and hardness  
 - Measuring surface diamond-lapped to high standard of precision  
 - Stand column chrome-plated  
**- Flatness of the measurement desk 0.002 mm**

**Use**  
 For dial gauges with **shank Ø 8 mm** (h 6).  
 (on request, available for shaft Ø 10 mm).

**Note:**  
 Dial gauges and lever gauge measuring devices (small probes), see Cat. No. 33001 ff.

Vertical capacity approx. mm	Working radius approx. mm	Post Ø approx. mm	Stand size approx. mm	Table surface approx. mm	Weight approx. kg	34625	...
200	120	35	260 x 140	200 x 140	9.5	#	102
200	120	35	300 x 200	240 x 200	13.0	#	104



**34626 Test plates**

**Type**  
 - Precision to DIN 876/0  
 - With M8 metric thread insert  
**Use**  
 For mounting support of indicator stands.

**Quality**  
 Made of natural stone.

Dimension mm	Thread	Weight approx. kg	34626	...
150 x 150 x 40	1 x M 8	3.5		101
400 x 250 x 50	3 x M 8	16.0	F	102
400 x 400 x 70	3 x M 8	35.0	F #	103

